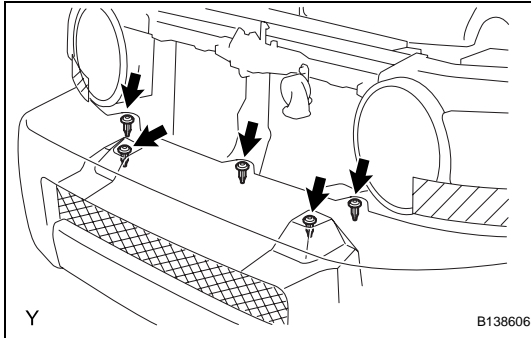
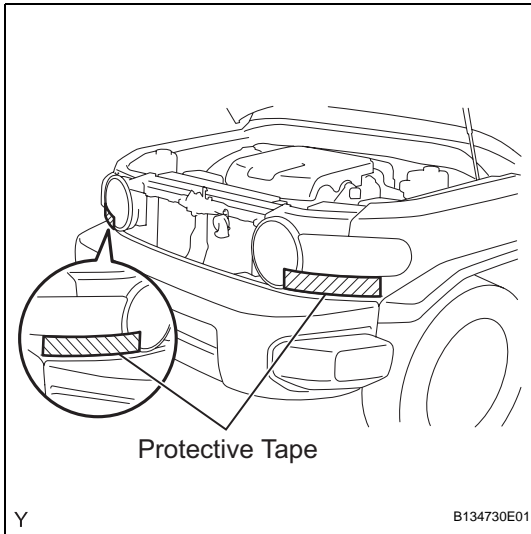


REMOVAL

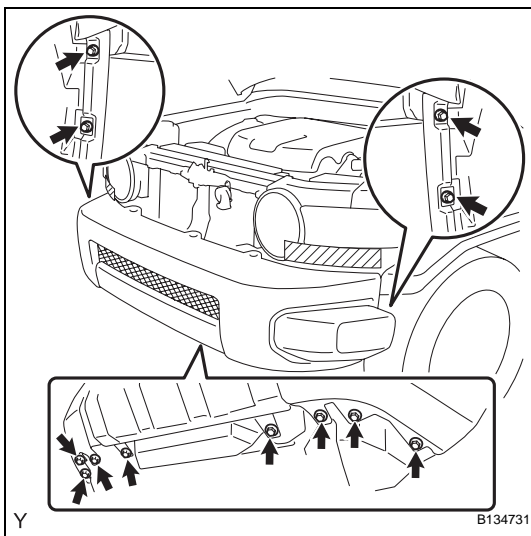
HINT:

The procedure described below is for the LH side. Use the same procedure for both the RH and LH sides, unless otherwise specified.

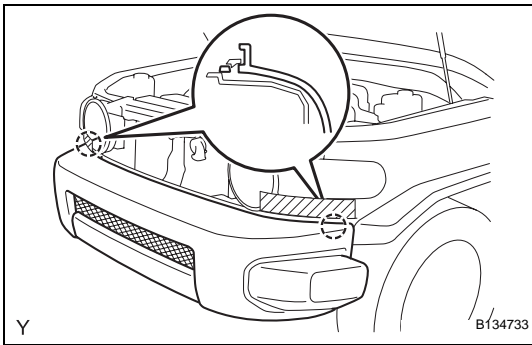
1. **DISCONNECT CABLE FROM NEGATIVE BATTERY TERMINAL (w/ Back Sonar)**
2. **REMOVE RADIATOR GRILLE (See page [ET-4](#))**
3. **REMOVE FRONT BUMPER COVER**
 - (a) Apply protective tape as shown in the illustration.



- (b) Using a clip remover, remove the 5 clips.

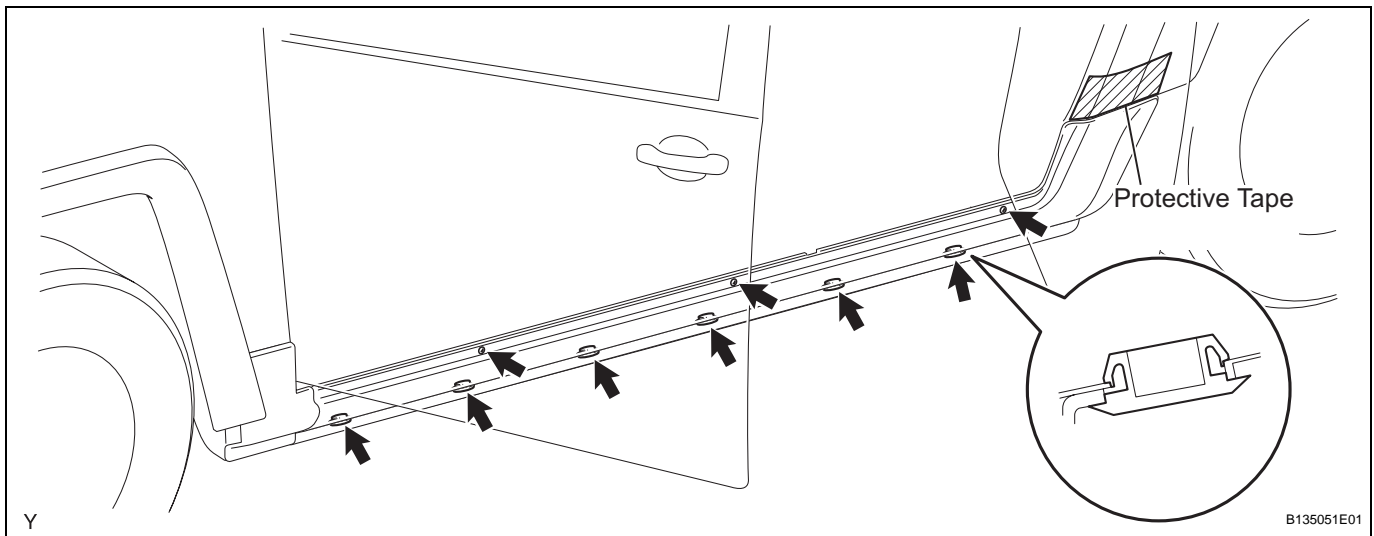


- (c) Remove the 8 screws and the 4 bolts.

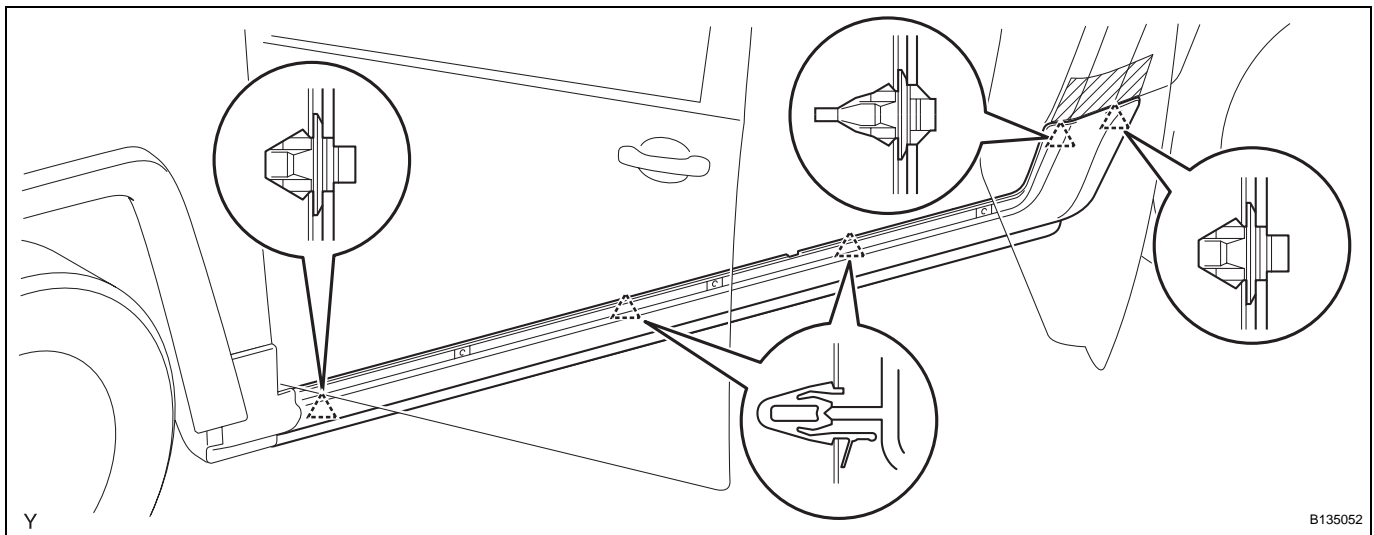


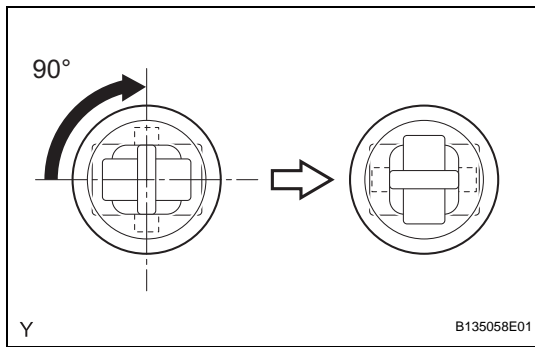
(d) Disengage the 2 claws and remove the front bumper cover.

4. REMOVE REAR BUMPER COVER (See page [ET-17](#))
5. REMOVE FRONT FENDER MUDGUARD (See page [ET-83](#))
6. REMOVE QUARTER PANEL MUDGUARD (See page [ET-83](#))
7. REMOVE FRONT BUMPER SIDE SUPPORT (See page [ET-5](#))
8. REMOVE SIDE STEP SUB-ASSEMBLY (w/ Side Step) (See page [ET-86](#))
9. REMOVE ROCKER PANEL MOULDING
 - (a) Apply protective tape to the quarter panel in the area around the rocker panel moulding.
 - (b) Using a clip remover, remove the 6 retainers.
 - (c) Remove the 3 screws.



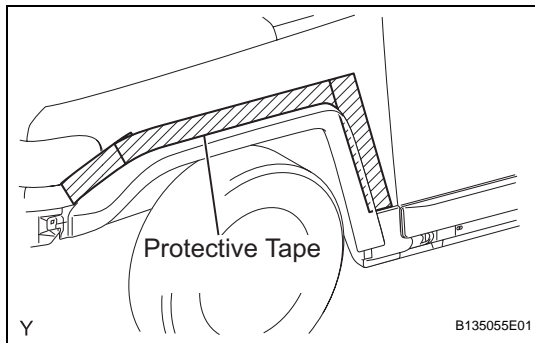
(d) Disengage the 5 clips and remove the rocker panel moulding.



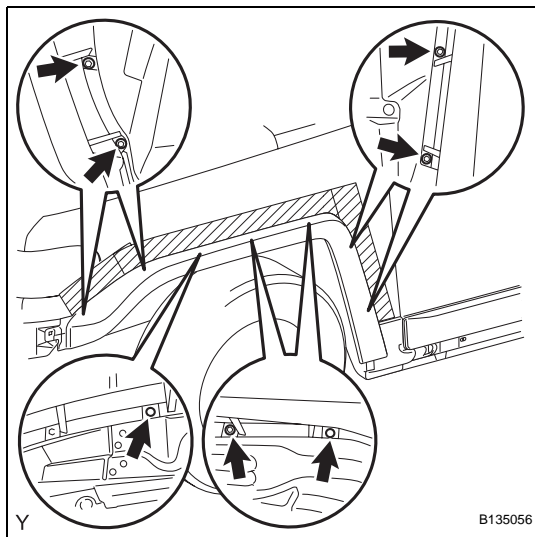


(e) Turn the clips 90° clockwise and remove them.

10. REMOVE FRONT FENDER MOULDING SUB-ASSEMBLY

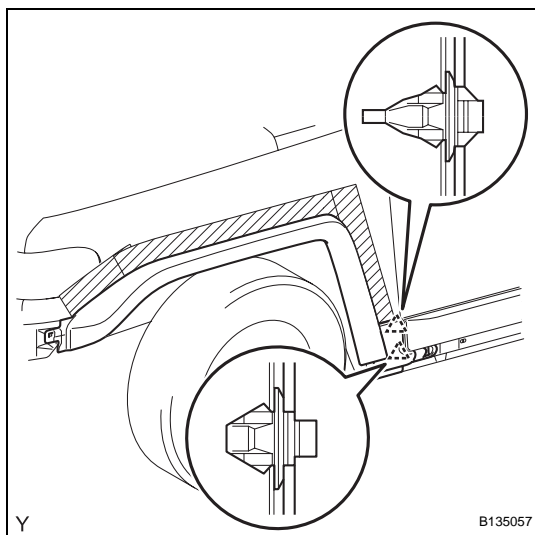


(a) Apply protective tape to the fender panel in the area around the front fender moulding.

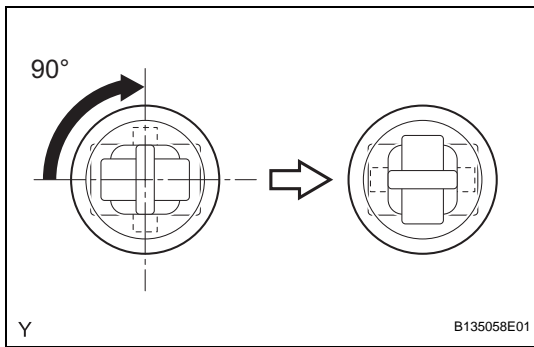


(b) Using a clip remover, remove the 2 clips.

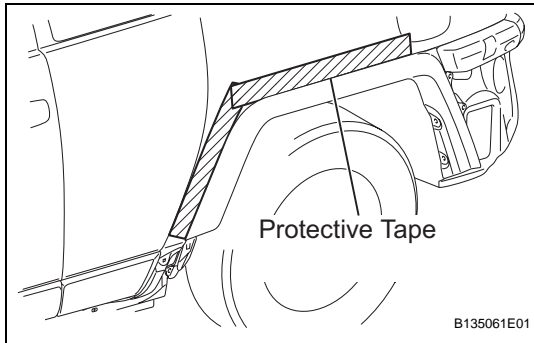
(c) Remove the 5 screws.



(d) Disengage the 2 clips and remove the front fender moulding.

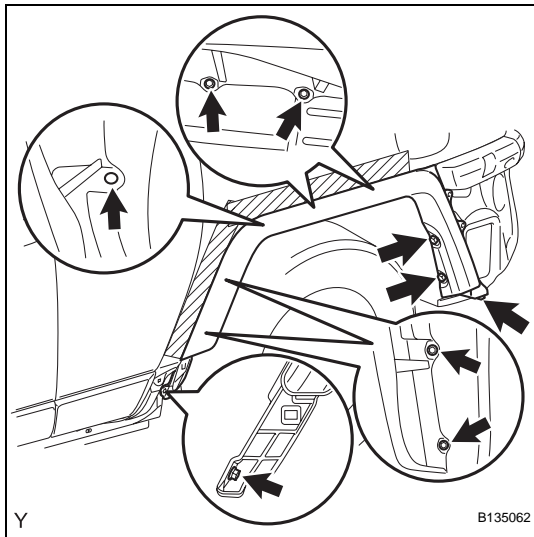


(e) Turn the clips 90° clockwise and remove them.



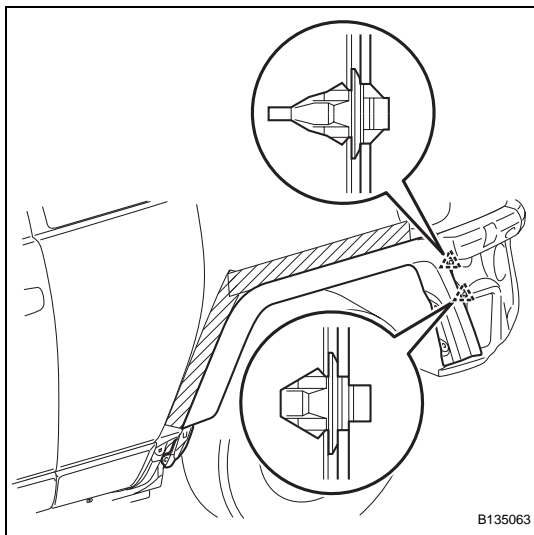
11. REMOVE QUARTER OUTSIDE MOULDING SUB-ASSEMBLY

(a) Apply protective tape to the quarter panel in the area around the quarter outside moulding.

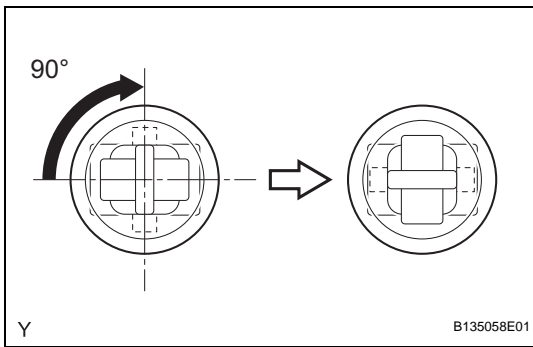


(b) Using a clip remover, remove the clip.

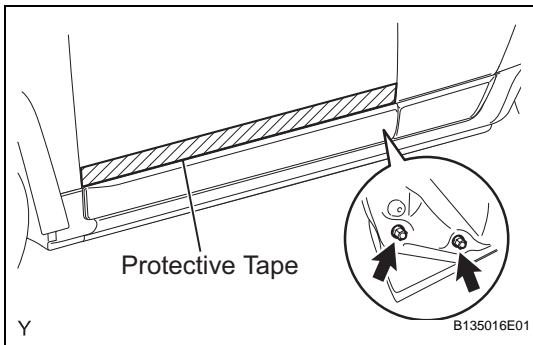
(c) Remove the 8 screws.



(d) Disengage the 2 clips and remove the quarter outside moulding.

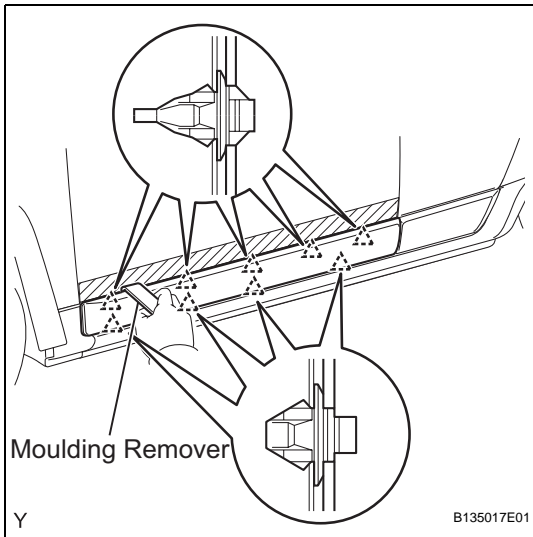


(e) Turn the clips 90° clockwise and remove them.

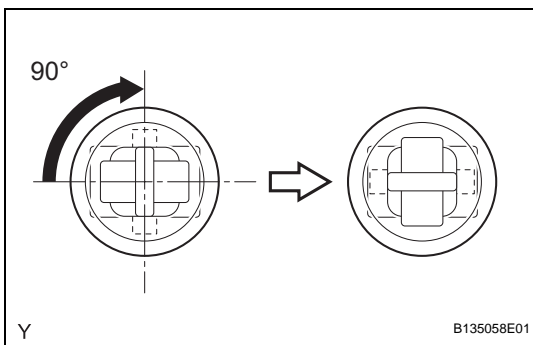


12. REMOVE FRONT DOOR OUTSIDE MOULDING SUB-ASSEMBLY

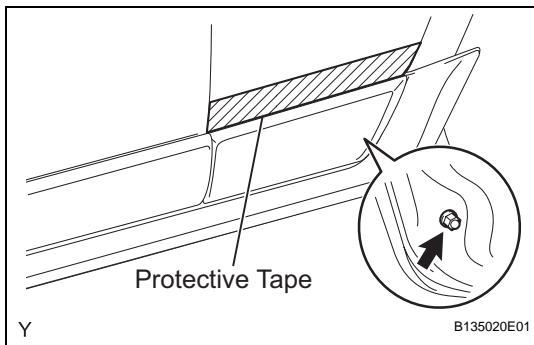
- (a) Apply protective tape to the front door panel in the area around the front door outside moulding.
- (b) Remove the 2 nuts.



- (c) Using a moulding remover, disengage the 9 clips and remove the front door outside moulding.

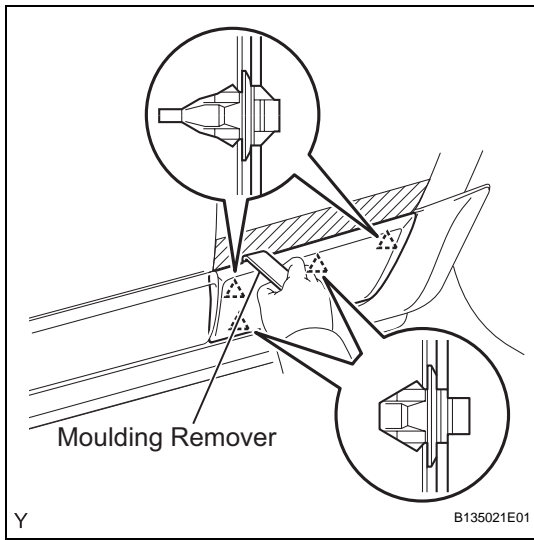


(d) Turn the clips 90° clockwise and remove them.

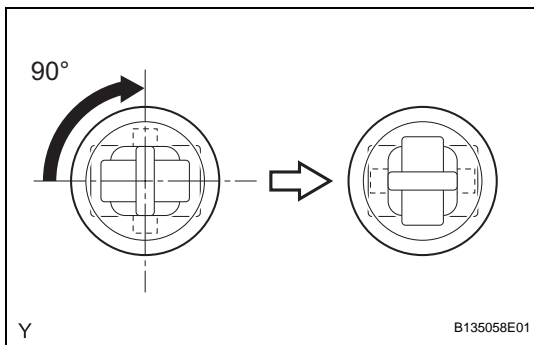


13. REMOVE ACCESS DOOR OUTSIDE MOULDING SUB-ASSEMBLY

- (a) Apply protective tape to the access door panel in the area around the access door outside moulding.
- (b) Remove the nut.

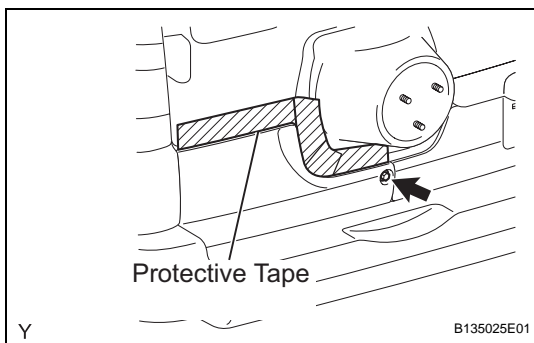


- (c) Using a moulding remover, disengage the 4 clips and remove the access door outside moulding.



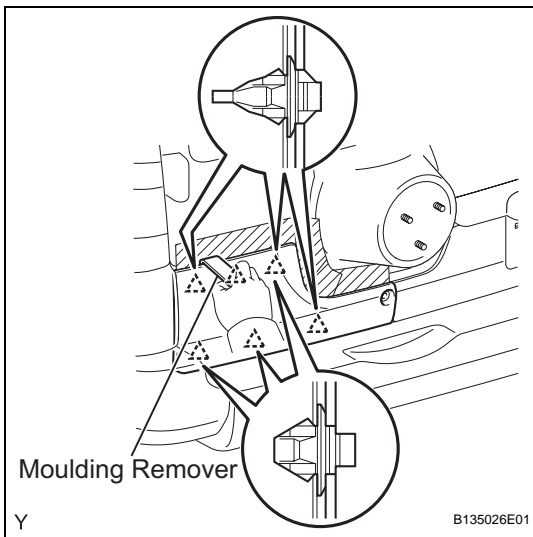
- (d) Turn the clips 90° clockwise and remove them.

14. REMOVE SPARE TIRE

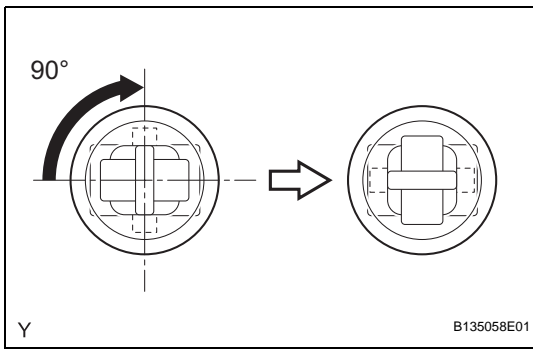


15. REMOVE BACK DOOR OUTSIDE MOULDING LH

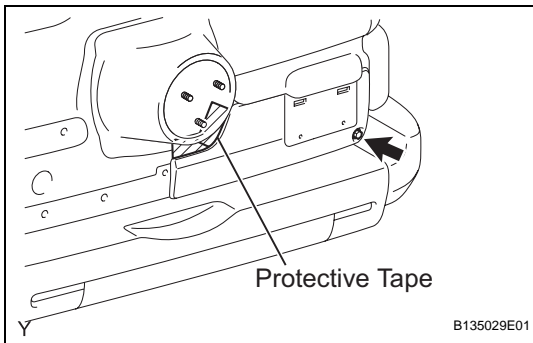
- (a) Apply protective tape to the back door panel in the area around the back door outside moulding.
- (b) Remove the screw.



- (c) Using a moulding remover, disengage the 6 clips and remove the back door outside moulding.

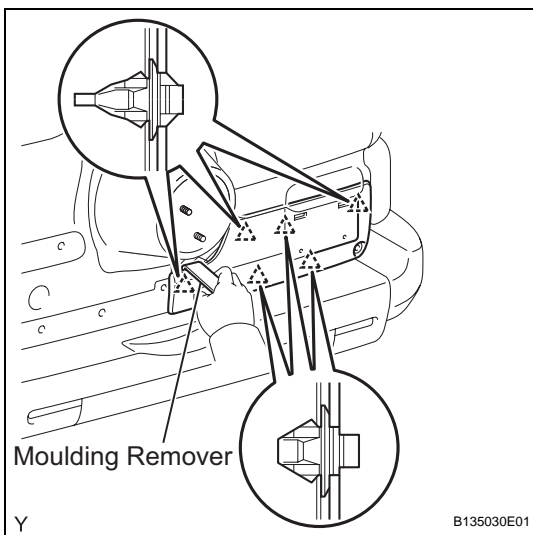


- (d) Turn the clips 90° clockwise and remove them.

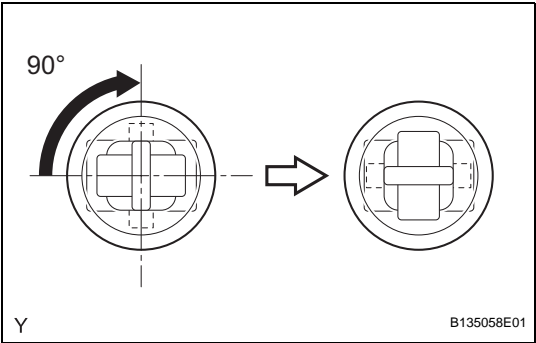


16. REMOVE BACK DOOR OUTSIDE MOULDING RH

- (a) Apply protective tape to the back door panel in the area around the back door outside moulding.
 (b) Remove the screw.



- (c) Using a moulding remover, disengage the 6 clips and remove the back door outside moulding.



(d) Turn the clips 90° clockwise and remove them.