

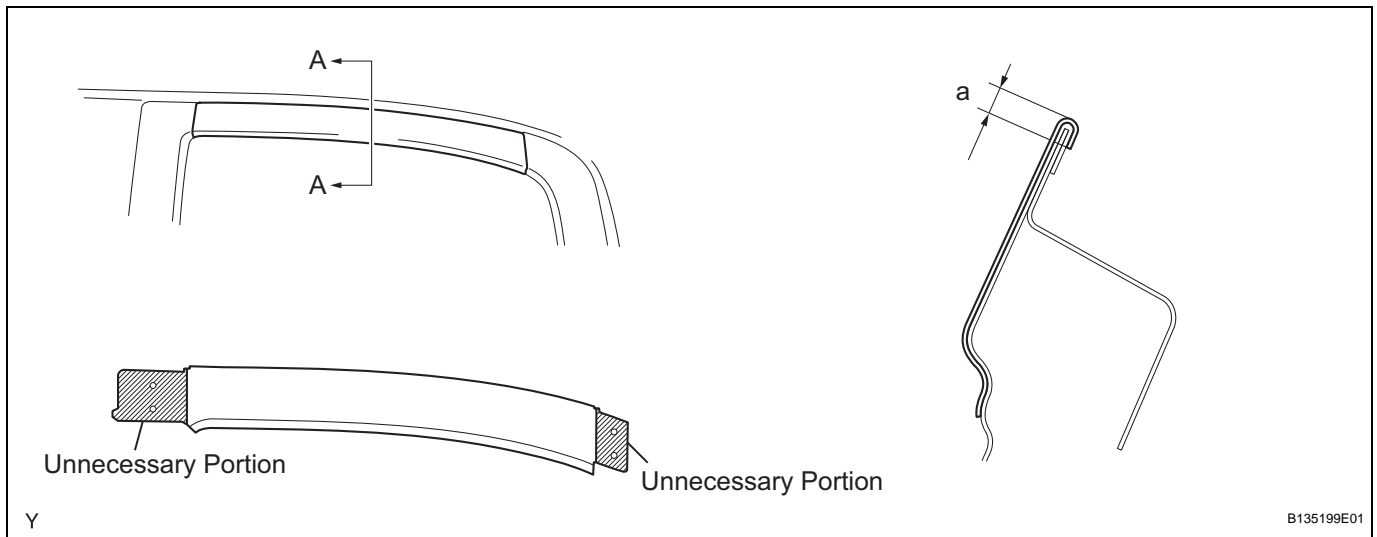
INSTALLATION

HINT:

The procedure described below is for the LH side. Use the same procedure for both the RH and LH sides, unless otherwise specified.

1. INSTALL NO. 5 BLACK OUT TAPE

- (a) Application precautions (See page [ET-99](#)).
- (b) Clean the attachment surface (Using an infrared light) (See page [ET-99](#)).
- (c) Clean the attachment surface (Using a tape removal disc) (See page [ET-99](#)).
- (d) Apply new No. 5 black out tape to the positions shown in the illustration.



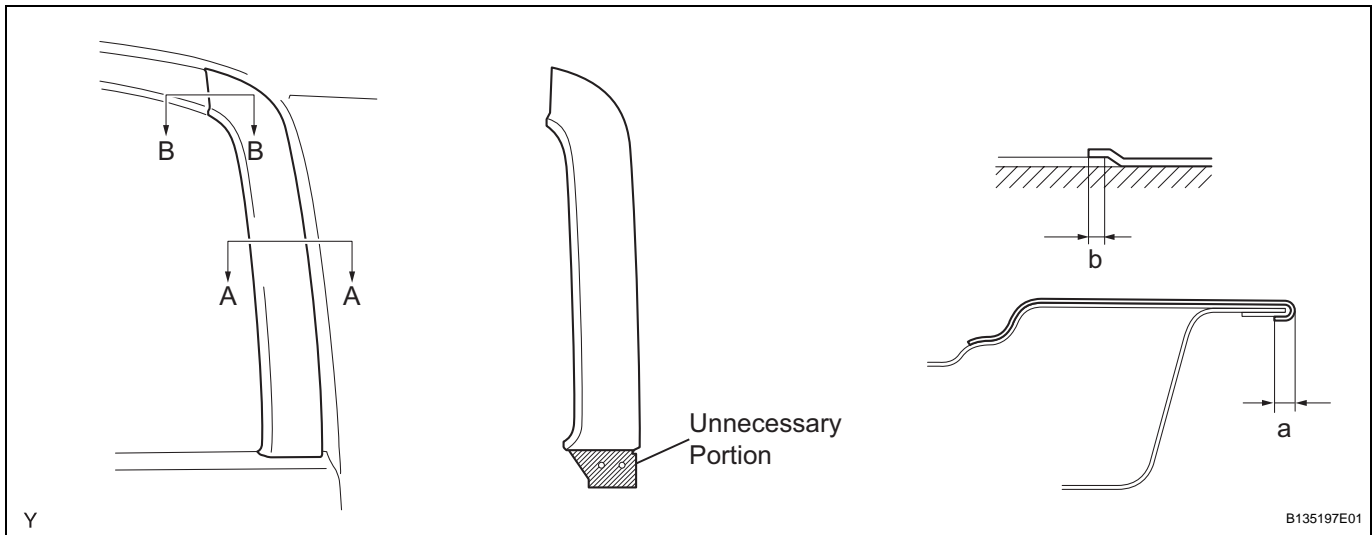
Installation position:

Mark	Measurement
a	2 to 4 mm (0.079 to 0.157 in.)

2. INSTALL NO. 6 BLACK OUT TAPE

- (a) Application precautions (See page [ET-99](#)).
- (b) Clean the attachment surface (Using an infrared light) (See page [ET-99](#)).
- (c) Clean the attachment surface (Using a tape removal disc) (See page [ET-99](#)).

- (d) Apply new No. 6 black out tape to the positions shown in the illustration.

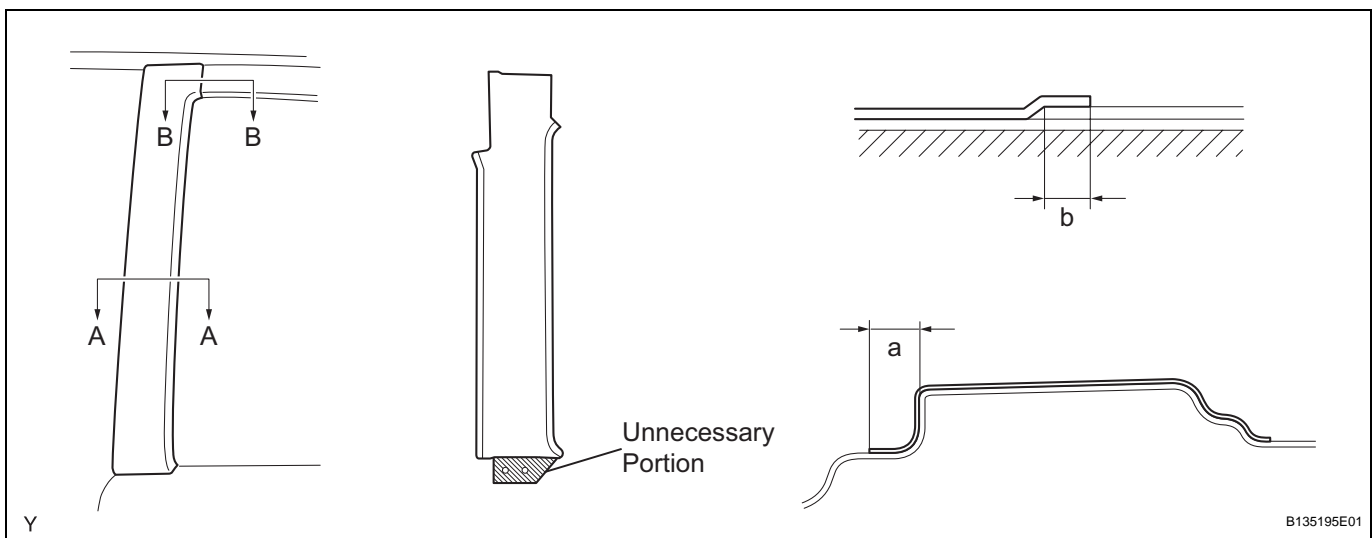


Installation position:

Mark	Measurement
a	2 to 4 mm (0.079 to 0.157 in.)
b	2 mm (0.079 in.)

3. INSTALL NO. 4 BLACK OUT TAPE

- (a) Application precautions (See page ET-99).
- (b) Clean the attachment surface (Using an infrared light) (See page ET-99).
- (c) Clean the attachment surface (Using a tape removal disc) (See page ET-99).
- (d) Apply new No. 4 black out tape to the positions shown in the illustration.



Installation position:

Mark	Measurement
a	10 mm (0.394 in.)
b	2 mm (0.079 in.)

4. INSTALL ACCESS DOOR GLASS SUB-ASSEMBLY
(See page WS-59)

5. **INSTALL ACCESS DOOR GLASS OUTER WEATHERSTRIP (See page ET-43)**
6. **INSTALL ACCESS PANEL WEATHERSTRIP**
HINT:
Use the same procedure as for the RH side (See page ED-38).
7. **INSTALL ACCESS DOOR OPENING TRIM**
HINT:
Use the same procedure as for the RH side (See page ED-39).
8. **INSTALL CENTER PILLAR UPPER GARNISH**
HINT:
Use the same procedure as for the RH side (See page ED-40).
9. **INSTALL ACCESS DOOR TRIM BOARD SUB-ASSEMBLY**
HINT:
Use the same procedure as for the RH side (See page ED-41).
10. **INSTALL CUP HOLDER**
HINT:
Use the same procedure as for the RH side (See page ED-41).
11. **INSTALL ACCESS DOOR INSIDE HANDLE SUB-ASSEMBLY**
HINT:
Use the same procedure as for the RH side (See page ED-41).
12. **INSTALL LAP BELT OUTER ANCHOR COVER**
HINT:
Use the same procedure as for the RH side (See page ED-42).
13. **INSTALL ACCESS PANEL REAR WEATHERSTRIP**
HINT:
Use the same procedure as for the RH side (See page ED-42).